

Special Alignment Clamps

Internal and external locking pipe clamps for aligning pipes and flanges

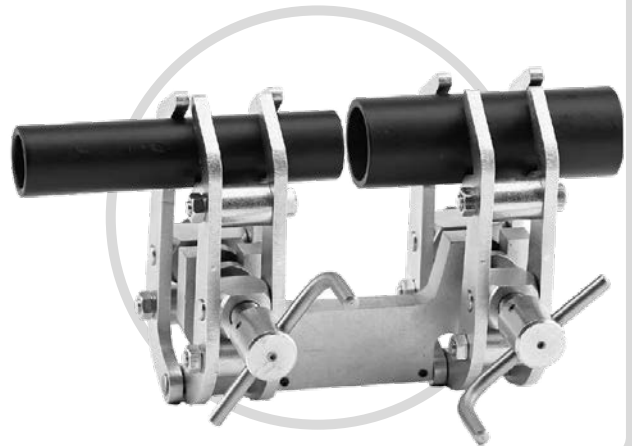
The ideal solution for:

- fast, safe and accurate centring and clamping of tubes, shafts and round bars right from the start;
- quick and accurate alignment and clamping of flanges, nozzles and short pipe sections to pipes.

Pincer Clamp

For quick and accurate alignment of pipes of equal or differing diameters on a common centre line. Automatic diameter compensation. All parts stay easily accessible for welding.

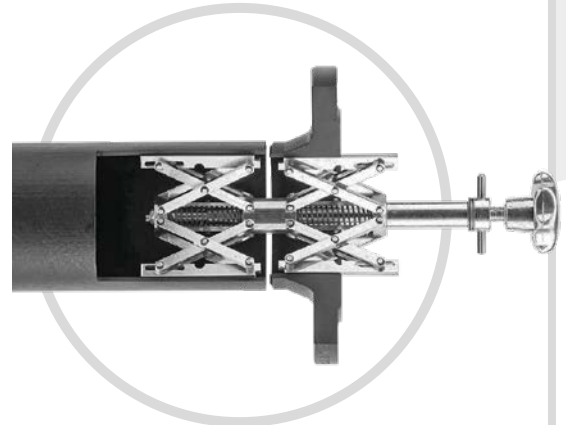
Part No.	Clamping Range (mm)	Weight (Kgs/lbs)
PC70	10-70	2.1/5
PC140	40-140	5.9/135
PC330	75-330	26/57.5



FTP Clamp

This model has two independent expanding clamps, allowing coaxial alignment of two hollow cylindrical components of different diameters. The bottom expanding clamp is inserted and clamped in the pipe by means of the knob. Then the other part (e.g. a flange) is placed over the top expanding clamp and clamped by means of the hand-bar. Stainless steel options also available.

Part No.	Clamping Range (mm)	Weight (Kgs/lbs)
FTP140	40-140	1.30/28.6
FTP220	85-220	3.90/86
FTP350	75-350	11.5/253.5
FTP520	180-520	27/59.5



FTE Clamp

This model with two independent clamps is used for clamping flanges of all kinds and similar parts to elbows and pipe-bends of various diameters. The lower expanding clamp has strong gripping feet which insert into the bend and are tightened by means of the knob. The top expanding clamp is tightened by means of the handbar in the flange. Stainless steel options also available.

Part No.	Clamping Range (mm)	Weight (Kgs/lbs)
FTE115	54-115	1/3
FTE195	89-195	3.3/7
FTE315	120-315	9.5/21
FTE520	180-520	23.1/50.8

