

# PIPE ALIGNMENT CLAMPS & STANDS



# Black Bridge Clamps

Pipe alignment clamps 1" - 12"

Black Bridge Clamps can be used for the welding of all kinds of materials. Adjusting screws have stainless steel bearings, thus reducing the risk of carbon contamination and corrosion. The welding of pipe to pipe and pipe to fittings is easily performed with BB Clamps.



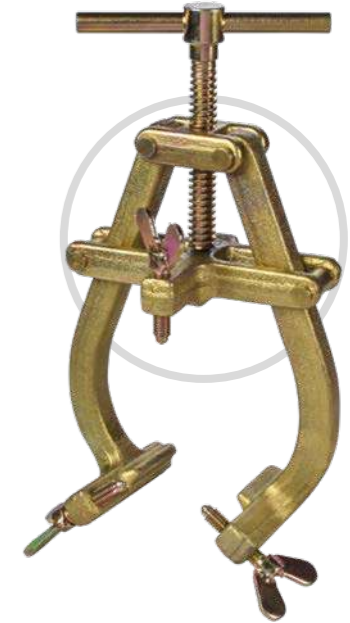
- Quick and easy to use
- Combines accuracy with safety
- Instant centering
- A quality product at low cost
- Stainless steel clamping feet & wing bolt bearings



Part No.	Pipe Diameter Imperial inch	Pipe Diameter Metric	Weight Kgs/lbs
BBC2	1"-2"	25-65	1.8/4.0
BBC6	2"-6"	50-168	4.8/10.5
BBC12	5"-12"	127-325	8.0/17.6

# Gold Bridge Clamps

Pipe Welding Clamp 1-14" o/d



- Quick and easy to use
- Combines accuracy with safety
- Instant centering
- A quality product at low cost
- Forged steel construction for maximum strength
- Wing bolts with stainless steel bearings



## AVAILABLE SIZES

Part No.	Pipe Diameter Imperial inch	Pipe Diameter Metric mm	Weight Kgs/lbs
GBC3	1"-3"	20-90	1.4 / 3
GBC5	2"-5"	50-150	3 / 7
GBC7	4"-7"	90-190	3.3 / 7.5
GBC9	5"-9"	125-225	7 / 15.5
GBC14	10"-14"	225-370	9 / 20

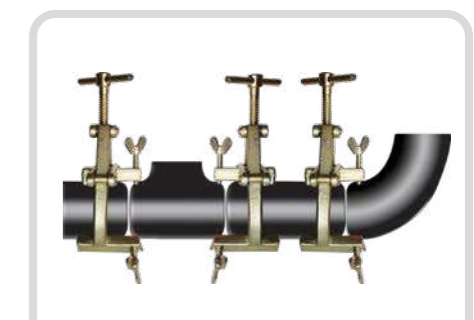
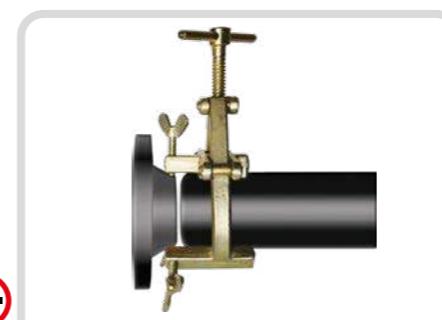
## STAINLESS STEEL SHOES & SCREWS

Part No.	Pipe Clamp Size inch
GBC3SSK	1"-3"
GBC5SSK	2"-5"
GBC7SSK	4"-7"
GBC9SSK	5"-9"
GBC14SSK	10"-14"

## OPTIONAL ACCESSORIES

Stainless Steel Shoes can be fitted quickly to the clamps. This makes the contact points of the clamp stainless, thus eliminating contamination of the pipe.

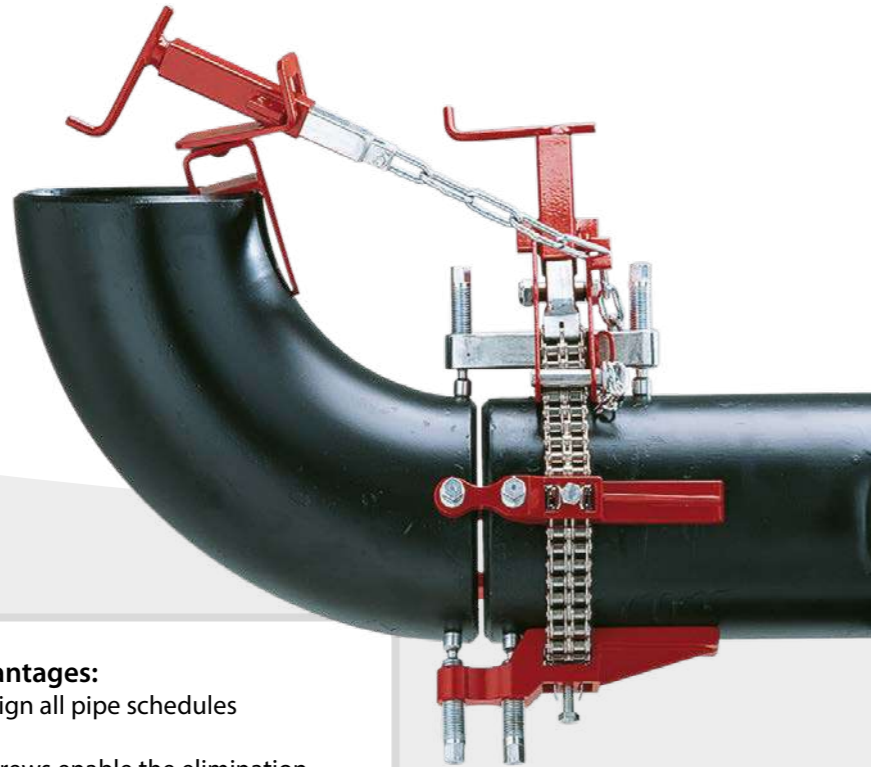
**! WARNING:** These Fit clamps must not be used as a lifting device, as they may result in damage or injury.





# Single Chain Clamps

Double Jackscrew clamps for aligning & reforming pipes



### Features and advantages:

- Alignment - can align all pipe schedules accurately.
- Reforming - jackscrews enable the elimination of 'Hi-Lo' points either side of the weld joint. Can reform up to schedule 40 pipes.
- Adaptable - one chain clamp covers the range of 8 cage clamps.
- No Tack Jackbars - joints can be fully welded without removing the clamp.
- Versatile - elbows, tees and other fittings can be accurately aligned using the Fitting Alignment Device.
- Quality - jackbars are cast from high quality steel alloys.
- Additional jackbars can be added if extra pressure is required.
- Jackscrews - Jackbars have two jackscrews with independently pivoting pads to compensate for uneven surfaces.
- Stainless Steel - available in both carbon and stainless steel versions.

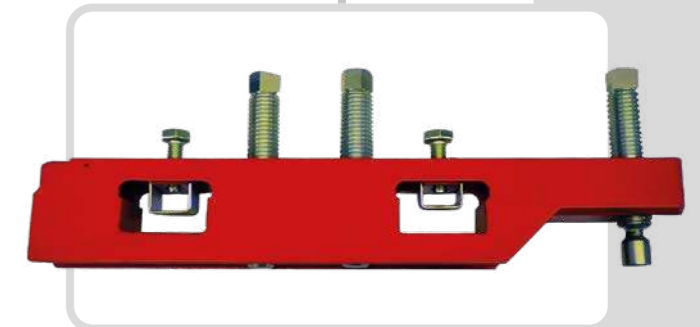
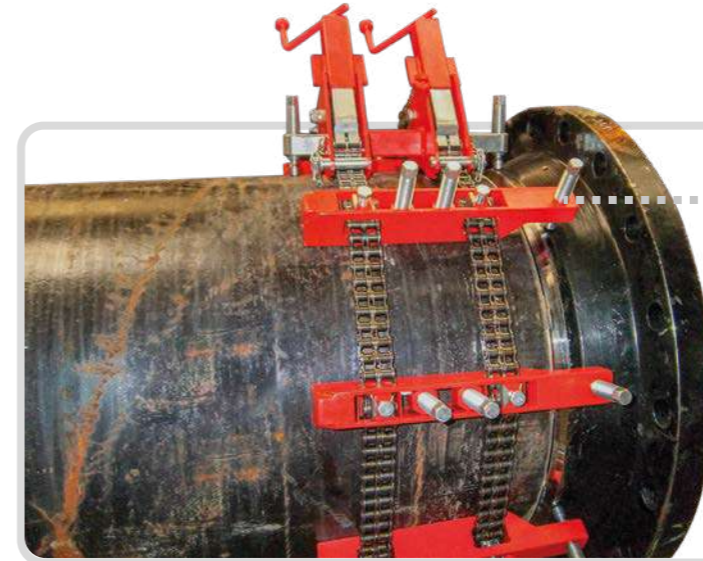
### All clamps include:

- Length of chain required for the pipe range
- Double jackscrew jackbars listed for the pipe range
- Main block
- Fine adjustment
- Fitting alignment device
- Jackscrew wrench
- Parts and operating manual
- Metal Storage box
- Hi-Lo gauge

Part No.	Pipe Diameter Range inch/mm	No. Of Jackbars	Reforms Pipe to Schedule	Aligns Pipe to Schedule	Shipping WT Kgs/lbs
SCC12	4-12 / 101.6-323.9	4	40	80	12/26,4
SCC12SS	4-12 / 101.6-323.9	4	40	80	12/26,4
SCC24	4-24 / 101.6-609.6	7	40	80	21/46,29
SCC24SS	4-24 / 101.6-609.6	7	40	80	21/46,29
SCC36	10-36/254 - 914.4	8	40	80	42/42,59
SCC36SS	10-36/254 - 914.4	8	40	80	42/42,59
SCC48	10-48 / 254-1219.2	12	40	80	69/152,11
SCC48SS	10-48 / 254-1219.2	12	40	80	69/152,11

# Double Chain Clamps

Ultra heavy duty double chain reforming alignment clamp



### Features and advantages:

- Precision Alignment – The double jackbars, spaced around the outside diameter of the pipe, provide accurate alignment and reforming of the internal or external diameters of both pipes within 0.5.
- Extremely Tough – Reforms pipes on both sides of the weld joint to Sch80, and elbows, tees and other fittings.
- Adaptable – The Chain Clamp can be used to support, align, and reform elbow, tees and other fittings that a cage clamp cannot cope with. One Chain Clamp covers the range of eight (8) cage clamps.
- Extra Heavy Duty Independent Jackbars – Enable the operator to form the pipe to the required shape. Each Jackscrew has independently pivoting feet to cope with uneven surfaces.
- Versatile – Elbows, tees and other fittings can be aligned with the Fitting Alignment Device.

### Double Chain Clamp include:

- Length of chain required for the pipe range
- Extra heavy-duty jackbars listed for the pipe range
- Number of Main blocks listed for the pipe range
- Two (2) fine adjustments
- Fitting alignment device (larger clamps supplied with come-a-long)
- Jackscrew wrench
- Operating instructions
- Hi-Lo gauge

### Optional:

- Torque wrench
- Carbon or stainless steel spacing screws (optional)
- Additional jackbar

Part No.	Pipe Diameter Range inch/mm	No. Of Jackbars	Number of Main Blocks	Shipping WT Kgs/lbs
DCC24	10-24 / 254-609.6	7	1	98 / 216
DCC24SS	10-24 / 254-609.7	7	1	98 / 216
DCC36	10-36 / 254-914	9	1	100 / 220
DCC36SS	10-36 / 254-914	9	1	100 / 220
DCC48	10-48 / 254-1219	12	1	126 / 278
DCC48SS	10-48 / 254-1219	12	1	126 / 278
DCC60	10-60 / 254-1524	16	1	149 / 328
DCC60SS	10-60 / 254-1524	16	1	149 / 328
DCC72	10-72 / 254-1829	20	1	176 / 387
DCC72SS	10-72 / 254-1829	20	1	176 / 387

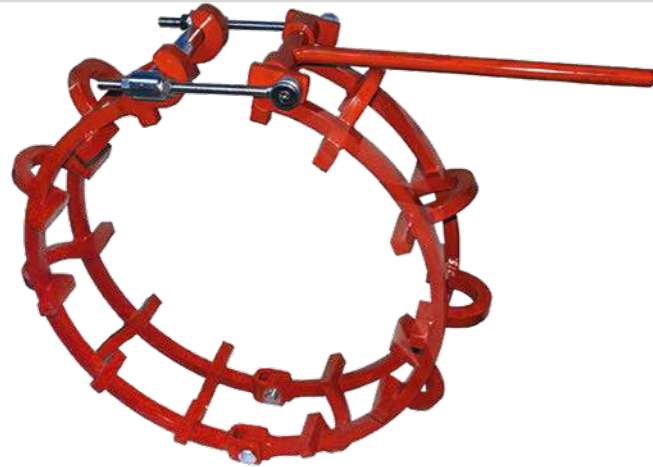
# Cage Clamps

External Line Up Clamps

Cage or 'Tipton' Clamps are a cost effective method to align a single size of pipe. Three versions are available; manual, ratchet and hydraulic. These are available in two styles, either "Tack" or "No Tack".

The tack type has straight cross bars and is removed from the pipe before welding. The more popular no tack model has arched cross bars to permit a 90% circumferential weld without removing the clamp.

MCC



### Manual Cage Clamps:

- Range: 4"-24"
- Will not back off while weld is being made.
- Simple and easy to use.
- Stainless & semi-stainless steel versions available.

### Ratchet Cage Clamps

- Range: 12"-60".
- The ratchet type External Line-up Clamp is very strong and accurate, but is also lightweight with either 'standard' flat cross bars or 'no tack' arched cross bars.
- Precision Acme Threads ensure great strength and ease of operation.
- Will not back off while weld is being made.
- Mechanism is enclosed to eliminate dirt or mud.
- Stainless & semi-stainless steel versions available.



RCC

HCC



### Hydraulic Cage Clamps

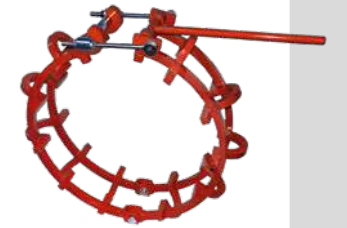
- Range: 20"-60".
- Hydraulic jack capacity 10-12 ton, larger available.
- Specials upon request.
- Stainless & semi-stainless steel versions available.
- Segmented versions available.

# Cage Clamps

External Line Up Clamps

## Manual Cage Clamps

PART NO.	PIPE SIZE (inch/mm)	SHIPPING WEIGHT (Kgs/lbs)
CCM4	4" / 102	8.6 / 19
CCM6	6" / 152	14.4 / 32
CCM8	8" / 203	14.9 / 33
CCM10	10" / 254	23 / 51
CCM12	12" / 305	23.9 / 53
CCM14	14" / 356	31.5 / 70
CCM16	16" / 406	45.9 / 102
CCM18	18" / 457	49.5 / 110
CCM20	20" / 508	54 / 120
CCM24	24" / 610	56.7 / 126



MCC

## Ratchet Cage Clamps

PART NO.	PIPE SIZE (inch/mm)	SHIPPING WEIGHT (Kgs/lbs)
CCR12	12" / 305	40 / 88
CCR14	14" / 356	45 / 99
CCR16	16" / 406	50 / 110
CCR18	18" / 457	55 / 121
CCR20	20" / 508	54 / 120
CCR24	24" / 610	57 / 126
CCR28	28" / 711	67 / 148
CCR30	30" / 762	72 / 160
CCR32	32" / 813	77 / 170
CCR34	34" / 864	82 / 181
CCR36	36" / 914	87 / 192
CCR40	40" / 1016	97 / 214
CCR42	42" / 1067	102 / 225
CCR48	48" / 1219	117 / 258
CCR54	54" / 1372	153 / 337
CCR60	60" / 1524	167 / 368
CCRH	Ratchet Handle	2.7 / 6



RCC

## Hydraulic Cage Clamps

PART NO.	PIPE SIZE (inch/mm)	SHIPPING WEIGHT (Kgs/lbs)
CCH20	20" / 508	54 / 120
CCH24	24" / 610	57 / 126
CCH28	28" / 711	67 / 148
CCH30	30" / 762	72 / 160
CCH32	32" / 813	77 / 170
CCH34	34" / 864	82 / 181
CCH36	36" / 914	87 / 192
CCH40	40" / 1016	97 / 214
CCH42	42" / 1067	102 / 225
CCH48	48" / 1219	117 / 258
CCH54	54" / 1372	153 / 337
CCH60	60" / 1524	167 / 368



HCC

PART NO.	PIPE SIZE (inch/mm)	SHIPPING WEIGHT (Kgs/lbs)
CCHJ-10T	Hydraulic Jack-10 T - 20" to 32" Hydraulic Clamps	7 / 15,5
CCHJ-12T	Hydraulic Jack-12 T - 34" to 40" Hydraulic Clamps	8,5 / 18,5
CCHJ-15T	Hydraulic Jack-15 T - 42" to 54" Hydraulic Clamps	10 / 22
CCHJ-20T	Hydraulic Jack-20 T - 60" Hydraulic Clamps	12 / 36,5

JHCC



# Special Alignment Clamps

Internal and external locking pipe clamps for aligning pipes and flanges

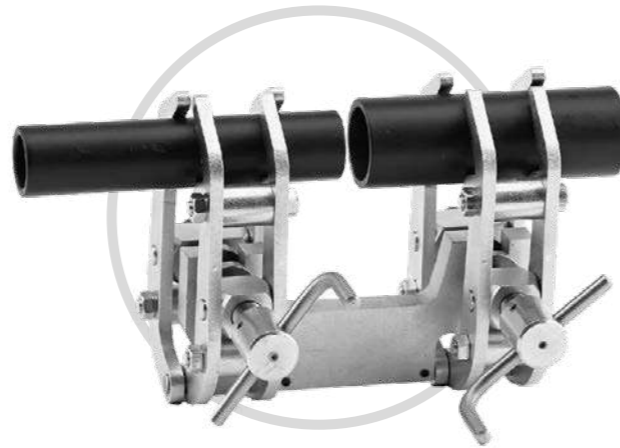
The ideal solution for:

- fast, safe and accurate centring and clamping of tubes, shafts and round bars right from the start;
- quick and accurate alignment and clamping of flanges, nozzles and short pipe sections to pipes.

## Pincer Clamp

For quick and accurate alignment of pipes of equal or differing diameters on a common centre line. Automatic diameter compensation. All parts stay easily accessible for welding.

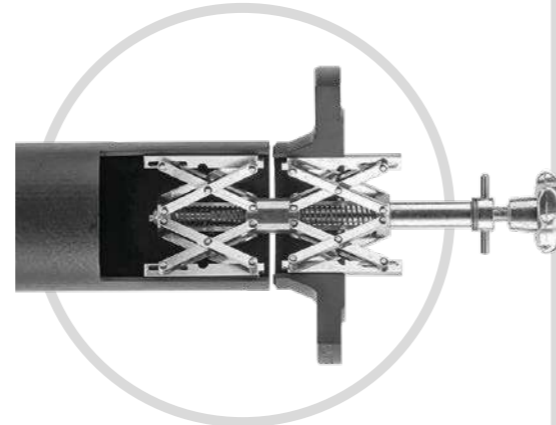
Part No.	Clamping Range (mm)	Weight (Kgs/lbs)
PC70	10-70	2.1/5
PC140	40-140	5.9/13.5
PC330	75-330	26/57.5



## FTP Clamp

This model has two independent expanding clamps, allowing coaxial alignment of two hollow cylindrical components of different diameters. The bottom expanding clamp is inserted and clamped in the pipe by means of the knob. Then the other part (e.g. a flange) is placed over the top expanding clamp and clamped by means of the hand-bar. Stainless steel options also available.

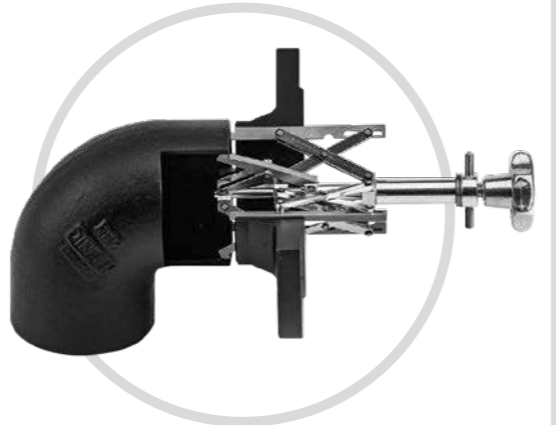
Part No.	Clamping Range (mm)	Weight (Kgs/lbs)
FTP140	40-140	1.30/28.6
FTP220	85-220	3.90/86
FTP350	75-350	11.5/253.5
FTP520	180-520	27/59.5



## FTE Clamp

This model with two independent clamps is used for clamping flanges of all kinds and similar parts to elbows and pipe-bends of various diameters. The lower expanding clamp has strong gripping feet which insert into the bend and are tightened by means of the knob. The top expanding clamp is tightened by means of the handbar in the flange. Stainless steel options also available.

Part No.	Clamping Range (mm)	Weight (Kgs/lbs)
FTE115	54-115	1/3
FTE195	89-195	3.3/7
FTE315	120-315	9.5/21
FTE520	180-520	23.1/50.8



# PJ1 'UNO' Pipe Stand

The PJ1 Stand is a basic single tubed pipe stand, simple to use and easy to setup

A favourite for low level work in all fab shops. Heights from 7" (17.5cm) to 28" (70cm).

Optional roller heads from the PJ3 series can also be fitted to the Vee Head of the PJ1 Stand to suit varying applications.



Part No.	Min/Max height (inch)	Min/Max height (mm)	Weight Load (Kgs/lbs)
PJ1-1	7"-10.25"	175-260	450/992
PJ1-2	10"-16"	250-400	450/992
PJ1-3	16"-22"	400-550	450/992
PJ1-4	22"-27"	550-700	450/992
PJ1-5	27.5"-33.5"	700-850	450/992

## Steel Wheels

Part No.	Load capacity (Kgs/lbs)	Weight (Kgs/lbs)	Pipe Size
SWK3	1/2,2	3,4/7	1"-12"
SWK3SS	1/2,2	3,4/7	1"-12"



## Ball Transfers

Part No.	Load capacity (Kgs/lbs)	Weight (Kgs/lbs)	Pipe Size
BTK3	600/1320	2,5/6	1"-12"
BTK3SS	600/1320	2,5/6	1"-12"



## Nylon Wheels

Part No.	Load capacity (Kgs/lbs)	Weight (Kgs/lbs)	Pipe Size
NWK3	450/992	2/5	1"-12"
PWK3	600/1320	4/8.8	1"-12"



# PJ3 Pipe Jacks

Three leg height adjustable pipe stands

### Features and advantages:

- 1,000 / 2,205 load capacity.
- Choice of fixed base or folding leg base.
- Folding legs allow for easy storage and transportation.
- Comprehensive range of head types Adjustable in height from 27"-48" (71cm-122cm).
- Independently load tested.



### Standard V-Head option



#### Base Units

Part No.	Stand Type	Weight (Kgs/lbs)	Pipe Size
PJ3FXB	Fixed leg	7,0/15.4	up to 12"
PJ3FLB	Folding leg	7,0/15.4	up to 12"

### Wheel Kit Options

#### Steel Wheels

Part No.	Load capacity (Kgs/lbs)	Weight (Kgs/lbs)	Pipe Size
SWK3	1000/2200	3,4/7	1"-12"
SWK3SS	1000/2200	3,4/7	1"-12"

#### Nylon / Polyurethane Wheels

Part No.	Load capacity (Kgs/lbs)	Weight (Kgs/lbs)	Pipe Size
NWK3	450/992	2/5	1"-12"
PWK3	600/1320	4/8,8	1"-12"

### Ball Transfert Kit Options

#### Ball Transfers

Part No.	Load capacity (Kgs/lbs)	Weight (Kgs/lbs)	Pipe Size
BTK3	600/1320	2,5/6	1"-12"
BTK3SS	600/1320	2,5/6	1"-12"

### Small V-Head option

#### Vee Head

Part No.	Load capacity (Kgs/lbs)	Weight (Kgs/lbs)	Pipe Size
PJ3V	1000/2200	3,4/7	up to 12"

#### Stainless Steel Sleeves

Part No.	Load capacity (Kgs/lbs)	Weight (Kgs/lbs)	Pipe Size
SSC3-1	1000/2200	1/2,2	1"-12"

### Pipe Roller Head Options

#### Pipe Roller Head Steel Wheels

Part No.	Load capacity (Kgs/lbs)	Weight (Kgs/lbs)	Pipe Size
SWK350	1000/2200	4,9/11	1"-12"
SWK350SS	1000/2200	3,4/7	1"-12"

#### Pipe Roller Head Nylon/ Polyurethane Wheels

Part No.	Load capacity (Kgs/lbs)	Weight (Kgs/lbs)	Pipe Size
NWK350	450/990	4,9/11	1"-12"
PWK350	600/1320	5/11	1"-12"

# PJ3 Pipe Jacks

Three leg height adjustable pipe stands



### Large Vee Head

Part No.	Load capacity (Kgs/lbs)	Weight (Kgs/lbs)	Pipe Size
LVH	1000/2200	7.6/17	up to 24"

### Stainless Steel Sleeves

Part No.	Load capacity (Kgs/lbs)	Weight (Kgs/lbs)	Pipe Size
SSC4	1000/2200	1/2,2	up to 24"

### Polyurethane Wheels

Part No.	Load capacity (Kgs/lbs)	Weight (Kgs/lbs)	Pipe Size
PWK4	600/1320	11.5/25.35	4"-36"



### Steel Wheels

Part No.	Load capacity (Kgs/lbs)	Weight (Kgs/lbs)	Pipe Size
SWK4	1000/2200	3/6	1"-24"
SWK4SS	1000/2200	3/6	1"-24"



### Nylon Wheels

Part No.	Load capacity (Kgs/lbs)	Weight (Kgs/lbs)	Pipe Size
NWK4	450/990	1.8/4	1"-24"



### Ball Transfers

Part No.	Load capacity (Kgs/lbs)	Weight (Kgs/lbs)	Pipe Size
BTK4	600/1320	2.3/5	1"-24"
BTK4SS	600/1320	2.3/5	1"-24"





# PJ4 Multi Stand

Height adjustable, multi function, pipe roller stand

## Features and advantages:

- Height adjustable with two fine adjusters.
- Maximum weight load: 2000 s.
- Maximum pipe diameter: 48"
- 'Bolt On' head unit can be utilised as a floor or bench unit
- Exclusive to GBC!



### Bolt On Wheel Carrier options

Part No.	Load capacity (Kgs/lbs)	Weight (Kgs/lbs)	Pipe Size
PJ4B	2000/4400	20/45	up to 48"



### Bolt On Wheel Carrier

Part No.	Load capacity (Kgs/lbs)	Weight (Kgs/lbs)	Pipe Size
RPS4	2000/4400	7/15,5	up to 48"

## Small V Head options

### Small V Head



Part No.	Load capacity (Kgs/lbs)	Weight (Kgs/lbs)	Pipe Size
PJ3V	1000/2200	3,4/7	up to 12"

### Stainless Steel Sleeves



Part No.	Load capacity (Kgs/lbs)	Weight (Kgs/lbs)	Pipe Size
SSC3 -1	1000/2200	1/2,2	up to 12"

### Wheel Kit Options



Part No.	Load capacity (Kgs/lbs)	Weight (Kgs/lbs)	Material
SWK3	1000/2200	3,4/7	Steel
SWK3SS	1000/2200	3,4/7	Stainless
NWK3	450/990	2/5	Nylon
PWK3	600/1320	4/8,8	Polyurethane

### Ball Transfers



Part No.	Load capacity (Kgs/lbs)	Weight (Kgs/lbs)	Material
BTK3	600/1320	2,5/5,5	Steel
BTK3SS*	600/1320	2,5/5,5	Stainless

## Pipe Roller Head Options

### Pipe Roller Head

Part No.	Load capacity (Kgs/lbs)	Weight (Kgs/lbs)	Pipe Size
SWK350	1000/2200	4,9/11	4"-12"
SWK350SS	1000/2200	4,9/11	4"-12"
NWK350	450/990	4,9/11	4"-12"
PWK350	600/1320	5/11	1"-12"



# PJ4 Multi Stand

Height adjustable, multi function, pipe roller stand



## Large V Head options

### Large V Head Stainless Steel Sleeves

Part No.	Load capacity (Kgs/lbs)	Weight (Kgs/lbs)	Pipe Size
LVH	2000/4400	7,6/16,75	up to 24"
SSC4	2000/4400	1/2,2	up to 24"



### Large V Head Wheel

Part No.	Load capacity (Kgs/lbs)	Weight (Kgs/lbs)	Material
SWK4	2000/4400	10,5/23	Steel
SWK4SS	2000/4400	10,5/823	Stainless
NWK4	450/990	8,5/18,7	Nylon
PWK4	600/1320	11,5/25,35	Polyurethane



### Ball Transfer Kits

Part No.	Load capacity (Kgs/lbs)	Weight (Kgs/lbs)	Pipe Size
BTK4	600/1320	8,5/18,7	1"-36"
BTK4SS	600/1320	8,5/18,7	1"-36"



# PJQ 'Quattro' Stands

Heavy duty pipe stands for large diameter and heavy wall pipe

The Quattro Heavy Duty Pipe Stands are the ideal solution for heavy duty pipe handling, in the workshop or for site applications.

The Large Vee Head, heavy duty base and variety of head options make the Quattro the most durable and versatile pipe stand on the market.

The Quattro stand can be used as a simple jack stand, supplied as standard with levelling pads to accommodate uneven working surfaces.

Weight load tested to 2500s per stand, the Quattro stands can also be supplied with lockable castor wheels so pipes of up to 36" diameter can be moved around a workshop or site.

## Features and advantages:

- Weight certified to 2500.
- For pipe up to 36" diameter.
- Variety of head options.
- Optional castor wheel for pipe transportation.
- Height adjustable.
- Nylon thrust washer for easy height adjustment.
- Suitable for carbon or stainless steel.



### Base Unit

Part No.	Load capacity (Kgs/lbs)	Weight (Kgs/lbs)	Pipe Size
PJQB	2500/5510	10/22	N/A



### Large Vee Head

Part No.	Load capacity (Kgs/lbs)	Weight (Kgs/lbs)	Pipe Size
LVH	2500/5510	7.5/16,5	1"-36"



### Roller Wheel Kit

Part No.	Load capacity (Kgs/lbs)	Weight (Kgs/lbs)	Pipe Size
RWK4	2000/4400	11/24,25	N/A



### Stainless Steel Sleeves

Part No.	Load capacity (Kgs/lbs)	Weight (Kgs/lbs)	Pipe Size
SSC4	2500/5510	1/2,2	1"-36"



### Wheel Kit Options

Part No.	Load capacity (Kgs/lbs)	Weight (Kgs/lbs)	Material
SWK4	2000/4400	10.5/23,1	Steel
SWK4SS	2000/4400	10.5/23,1	Stainless
NWK4	450/990	8,5/18,7	Nylon
PWK4	600/1320	11,5/25,35	Polyurethane



### Ball Transfer Kits

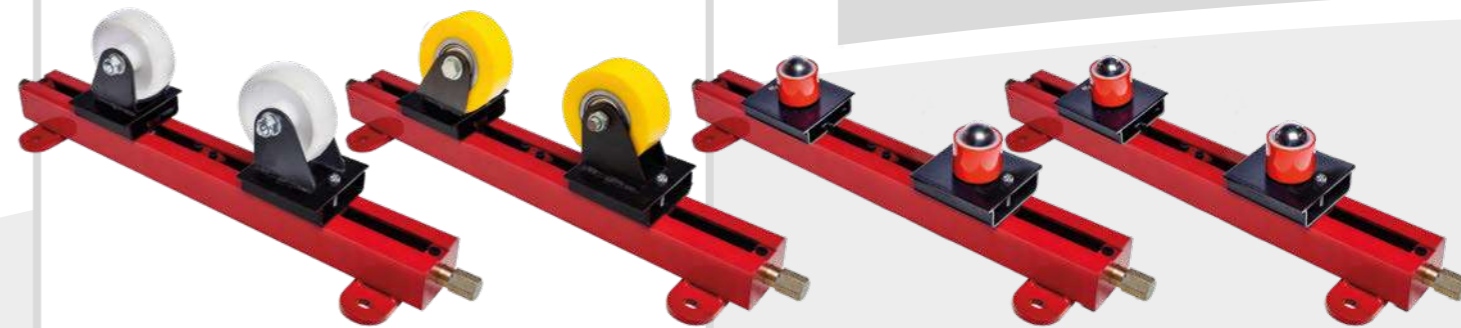
Part No.	Load capacity (Kgs/lbs)	Weight (Kgs/lbs)	Pipe Size
BTK4	600/1320	8,5/18,7	1"-36"
BTK4SS	600/1320	8,5/18,7	1"-36"



Transport pipe around the site or workshop with ease

# RPS4 Roller Pipe Stand

The RPS4 is a versatile floor or bench mountable pipe roller stand



Part No.	Description	Load capacity (Kgs/lbs)
SWK3	Steel wheel kit	1000/2200
SWK3SS	Stainless steel wheel kit	1000/2200
NWK3	Nylon wheel kit	450/990
PWK3	Polyurethane wheel kit	720/1587
BTK3	Ball transfer kit	600/1320
BTK3SS	Stainless steel ball transfer kit	600/1320

# Pipe Buggy

The safe method of handling and moving pipes around the workshop or site

The Pipe Buggy offers a safe method of handling and moving pipes around the workshop or site easily, avoiding damage to the pipe as a result of it being dragged along the ground.

At only 31.8 / 70 it is a light weight yet robust solution to pipe handling problems.

With its innovative handle and ratchet strap it allows the operator to lift the pipe from the floor into the buggy with minimal effort.

## Features and advantages:

- Flat free tyres
- Ratchet hold down strap to secure pipe
- Quick disconnecting handle for easy storage

Max Pipe diameter: 12"  
Max Pipe length: 6.1m  
Max Pipe weight: 450 / 990







- Portable Pipe Cold Beveling Machines
- Portable Pipe Cold Cutting and Beveling Machines
- Plate Cold Beveling Machines
- Flange Facing Machines
- Orbital Pipe Cutting Machines
- Back Gouging and Grinding Systems
- **Pipe Alignment Clamps and Stands**



@GBCIndustrialToolsSpa



@gbcindustrialtoolsspa



GBC Industrial Tools SpA



GBC Industrial Tools



GBC Industrial Tools si riserva il diritto di apportare in qualsiasi momento modifiche costruttive e funzionali.  
GBC Industrial Tools has the right to modify its product at any time.



**G.B.C. Industrial Tools S.p.a.**

Via Sandro Pertini, 41/43  
25046 Cazzago San Martino (BS) - Italia  
phone: +39 (0)30 745.11.54 - fax +39 (0)30 735.66.29  
www.gbcspa.com - mailto: sales@gbcspa.com

